

# CONDUIT HANGERS

FOR THREADED RIGID CONDUIT, IMC, EMT CONDUIT OR PVC CONDUIT

## APPLICATION

Secure and suspend rigid conduit, IMC, E.M.T. or PVC conduit overhead supports.

## FEATURES

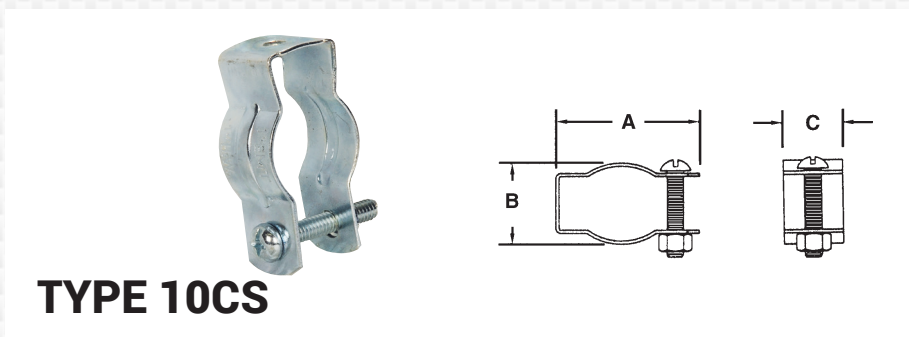
- Supplied with bolts and nuts

## STANDARD MATERIALS

Steel

## STANDARD FINISH

Zinc Plated



## TYPE 10CS

CATALOG NUMBER	TRADE SIZE	DIM A	DIM B	DIM C	UNIT PACK	MASTER PACK	LBS. / 100 PCS.	UPC #
10CS	3/8" - 1/2"	1.875	0.900	0.780	100	500	10	11072
11CS	3/4"	2.175	1.260	0.875	-	100	11	11172
12CS	1"	2.370	1.295	0.875	-	100	12	11272
13CS (Rigid)	1-1/4"	3.255	1.875	0.830	-	100	12	11372
13CSA (E.M.T.)	1-1/4"	3.175	1.965	0.850	-	100	12	11069
14CS	1-1/2"	3.780	2.220	1.065	-	100	21	11472
15CS	2"	4.100	2.450	1.210	-	50	27	11572
16CS	2-1/2"	4.800	3.180	1.240	-	50	30	11672
17CS	3"	5.375	3.750	1.220	-	50	40	11772
18CS	3-1/2"	6.187	4.187	1.270	-	25	42	11872
19CS	4"	6.240	4.430	1.250	-	25	42	11972

## APPLICATION

Ball type swivel fixture covers for mounting pendant or fluorescent lighting fixtures to box. Furnished with 3/4" x 1/2" steel reducing bushing.

## FEATURES

- For use with 1/2" x 3/4" fixture conduit stems
- Available for use with octagonal or square boxes
- Easily attached by 2 screws
- Suitable for damp locations
- Vertical max slope angles 25°

## STANDARD MATERIALS

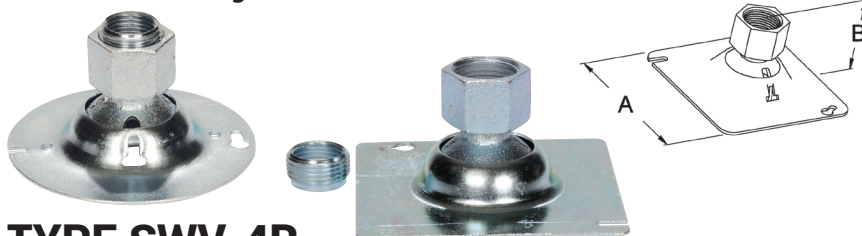
Steel/Malleable Iron

## STANDARD FINISH

Zinc Plated



## Swivel Fixture Hangers



## TYPE SWV-4R

CATALOG NUMBER	TRADE SIZE	DIAMETER	DIM A	DIM B	UNIT PACK	MASTER PACK	LBS. / 100 PCS.	UPC #
SWV-4R	3/4"	4.125	X	2.813	-	25	78	95001
SWV-4S	3/4"	X	4.125	2.813	-	25	78	95002

Loading Capacity 50 pounds