

# MALLEABLE IRON RIGID COMPRESSION COUPLINGS

FOR THREADLESS RIGID CONDUIT AND IMC

## APPLICATION

To couple sections of threadless rigid conduit together

## FEATURES

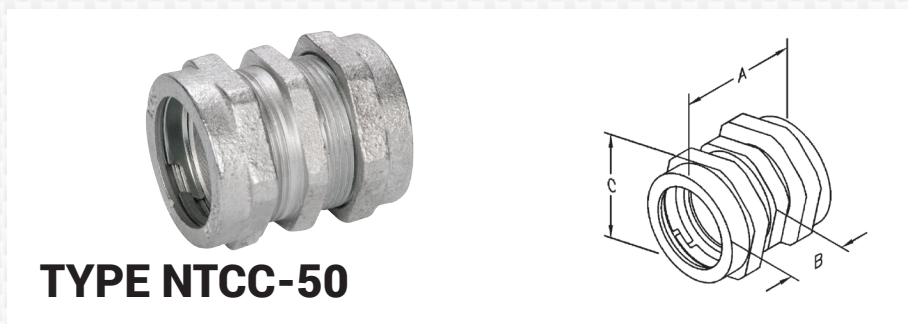
→ Concrete tight

## STANDARD MATERIALS

Malleable Iron

## STANDARD FINISH

Zinc Plated



**TYPE NTCC-50**

| CATALOG NUMBER  | TRADE SIZE | DIM A | DIM B | DIM C | UNIT PACK | MASTER PACK | LBS. / 100 PCS. | UPC # |
|-----------------|------------|-------|-------|-------|-----------|-------------|-----------------|-------|
| <b>NTCC-50</b>  | 1/2"       | 1.813 | 0.500 | 1.500 | 25        | 250         | 30              | 14413 |
| <b>NTCC-75</b>  | 3/4"       | 1.875 | 0.500 | 1.625 | 10        | 100         | 32              | 14414 |
| <b>NTCC-100</b> | 1"         | 2.188 | 0.563 | 2.000 | 5         | 50          | 44              | 14415 |
| <b>NTCC-125</b> | 1-1/4"     | 2.625 | 0.688 | 2.375 | 5         | 50          | 78              | 14416 |
| <b>NTCC-150</b> | 1-1/2"     | 2.688 | 0.750 | 2.625 | 2         | 20          | 93              | 14417 |
| <b>NTCC-200</b> | 2"         | 3.063 | 0.938 | 3.313 | 5         | 25          | 159             | 14418 |
| <b>NTCC-250</b> | 2-1/2"     | 4.500 | 2.000 | 3.750 | 1         | 10          | 277             | 14473 |
| <b>NTCC-300</b> | 3"         | 4.938 | 2.250 | 4.250 | 1         | 5           | 393             | 14483 |
| <b>NTCC-350</b> | 3-1/2"     | 5.000 | 2.250 | 4.750 | 1         | 5           | 547             | 14493 |
| <b>NTCC-400</b> | 4"         | 5.625 | 2.438 | 5.313 | 1         | 5           | 626             | 14494 |
| <b>NTCC-500</b> | 5"         | 6.250 | 2.713 | 6.016 | -         | 1           | 1220            | 14423 |
| <b>NTCC-600</b> | 6"         | 6.875 | 2.975 | 7.625 | -         | 1           | 1300            | 14424 |