

FS AND FD DEVICE BOXES - DOUBLE GANG

FOR THREADED RIGID CONDUIT AND IMC

APPLICATION

Accommodates wiring devices and provides opening to splice, tap or pull conductors.

FEATURES

- Tapered threads (NPT) with integral bushings
- 2 grounding screws located on top and bottom for easy access
- Suitable for use in wet locations when used with FSFD2-CS1 and FSFD-CG
- Gray Iron is suitable for concrete use

STANDARD MATERIALS

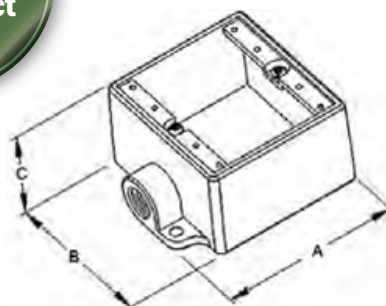
Gray Iron

STANDARD FINISH

Zinc Plated



New Product



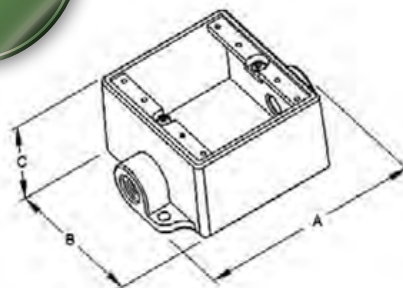
TYPE FD2-50

CATALOG NUMBER	TRADE SIZE	DIM A	DIM B	DIM C	UNIT PACK	MASTER PACK	LBS. / 100 PCS.	UPC #
FS2-50	1/2"	5.125	5.625	2.063	1	10	297	54006
FS2-75	3/4"	5.125	5.625	2.063	1	10	300	54007
FS2-100	1"	5.125	5.625	2.063	1	10	317	54008
FD2-50	1/2"	5.125	5.625	2.875	1	10	369	54000
FD2-75	3/4"	5.125	5.625	2.875	1	10	375	54001
FD2-100	1"	5.125	5.625	2.875	1	10	376	54002

OPTIONAL FINISH

Also available in Hot Dipped Galvanized finish upon request. Add suffix 'G' to Gray Iron catalog number. Example: FD2-50G. Please call factory for pricing and availability.

New Product



TYPE FSC2-50

CATALOG NUMBER	TRADE SIZE	DIM A	DIM B	DIM C	UNIT PACK	MASTER PACK	LBS. / 100 PCS.	UPC #
FSC2-50	1/2"	5.938	5.625	2.063	1	10	302	54009
FSC2-75	3/4"	5.938	5.625	2.063	1	10	315	54010
FSC2-100	1"	5.938	5.625	2.063	1	10	335	54011
FDC2-50	1/2"	5.938	5.625	2.875	1	10	405	54003
FDC2-75	3/4"	5.938	5.625	2.875	1	10	415	54004
FDC2-100	1"	5.938	5.625	2.875	1	10	418	54005