

MALLEABLE IRON/**HOT DIPPED GALVANIZED** CABLE SUPPORTS-BODY ONLY

FOR THREADED RIGID CONDUIT AND IMC

APPLICATION

For supporting non-armored electrical cables in vertical conduit risers

FEATURES

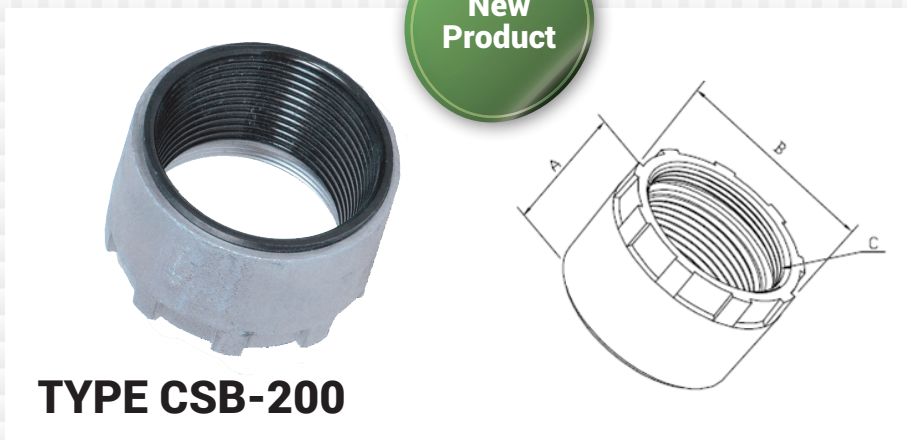
- Threaded for Rigid Conduit and IMC
- The fastest and easiest type cable support to install
- Equipped with tapered phenolic bushing

STANDARD MATERIAL

Malleable Iron

STANDARD FINISH

Hot Dipped Galvanized



TYPE CSB-200

CATALOG NUMBER	TRADE SIZE	DIM A	DIM B	DIM C	UNIT PACK	MASTER PACK	LBS. / 100 PCS.	UPC #
CSB-200	2"	2.375	2.625	2"-8 NPSM	1	10	175	50035
CSB-250	2-1/2"	2.520	3.610	2 1/2"-8 NPSM	1	10	225	50036
CSB-300	3"	2.750	4.290	3"-8 NPSM	1	10	282	50037
CSB-350	3-1/2"	3.100	4.960	3 1/2"-8 NPSM	1	5	335	50038
CSB-400	4"	3.100	5.520	4"-8 NPSM	1	5	470	50049